

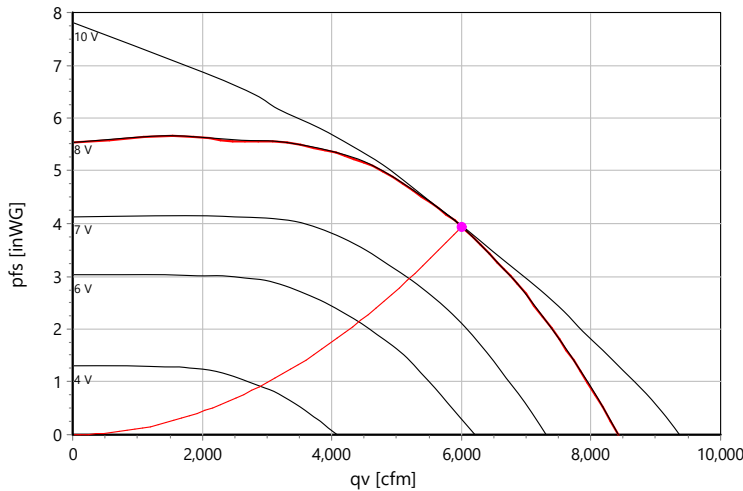


Type: **GKHR 500-CIB.160.6NA IE Gen3+**

Art.-No.: **N88-50322**



Curve:



p: 1.21 kg/m³; Data @ 230 V

Operating Point:

q _v	6004	cfm
p _{fs}	3.94	inWG
p _{fd}	0.3	inWG
η _{ed,fs}	63	%
η _{ed,tot}	66	%
P _{ed}	4.47	kW
I	12	A
n	1879	r/min
L _{wA A,OUT}	93	dB(A)
U _c	8.1	V
v	32.5	ft/s
SFP	1579	Ws/m ³
FEI	1.4	
t _{R,OP}	50	°C

ErP-Data:

(EU) Nr. 327/2011	(Lot11)	
q _v	6646	cfm
p _{fs}	5.73	inWG
η _{fs}	67.3	%
P _{ed}	7.01	kW
n	2225	r/min
N	69	
v	36.0	ft/s

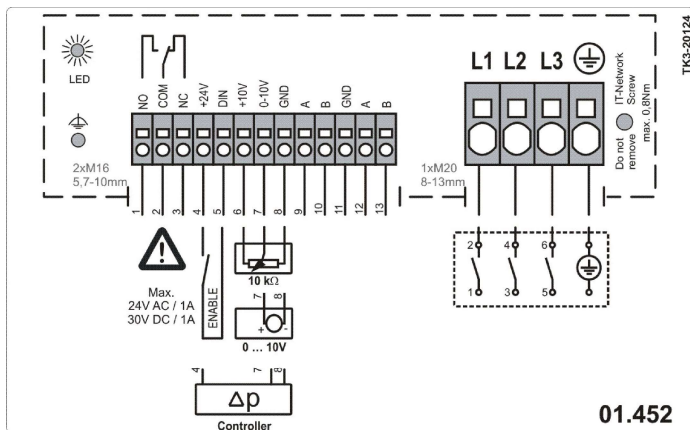
Nominal Data:

U [V]	f [Hz]	Data @ [V]	P _{ed} [kW]	I _N [A]	n _N [r/min]	t _R [°C]	k ₁₀ [m ² /h]	Eff.-Rating	IP	m [kg]
3~200-240	50/60	230	4.28	11.3	1880	-25 .. +50	198	IE4	IP 54	29

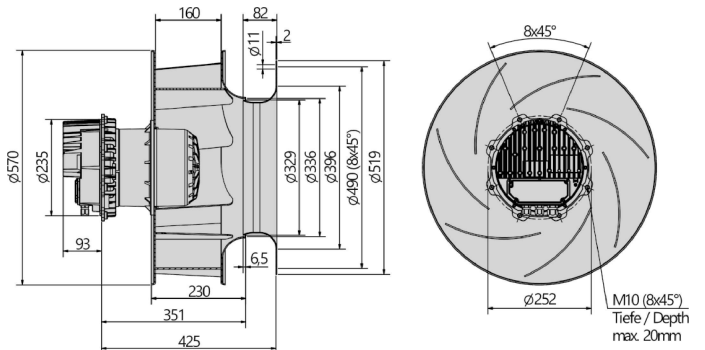
Sound Data:

Frequency	Σ	63Hz	125Hz	250Hz	500Hz	1kHz	2kHz	4kHz	8kHz	Distances	1 m	4 m
L _{wA(A,in)} [dB(A)]	86	51	69	78	81	79	78	76	70	L _{pA(A,in)} [dB(A)]	79	68
L _{wA(A,out)} [dB(A)]	93	60	82	85	86	89	84	78	73	L _{pA(A,out)} [dB(A)]	86	75

Wiring Diagram:



drawing:



Data @ 208V: 3.7 kW; 10.9 A; 1790 1/min